

IP65

BATTERY CHARGER



IP65

BATTERY CHARGER



These chargers are suitable for gel, AGM, Lithium and lead acid batteries. The battery charger provides a combination of charge at constant current and constant voltage. This makes possible a significant reduction of the charging time and prevents permanent damage of the battery. Select the charging profile according to the battery type.

MODEL: NE354

TECHNICAL CHARACTERISTICS:

Input:	100 - 240V 50/60Hz 11A - 4,5A
Battery nominal Voltage:	24V (36V) [48V]
Maximum current output:	35A (24A) [18A]
Efficiency:	94% at full load @115Vac 95.8% at full load @230Vac
Battery type:	lead acid - gel - AGM - Lithium
Setting of the charging curve :	max 16 algorithm
Visual indicator:	three colour LED
Remote visual indicator:	optional (RVI22)
Save charging cycles:	yes
Communications:	WiFi - CAN - RS485
Protection IP:	IP65
Protection Class:	I
Dimension: (L x P x H mm)	220 x 290 x 101
Weight	4,5Kg

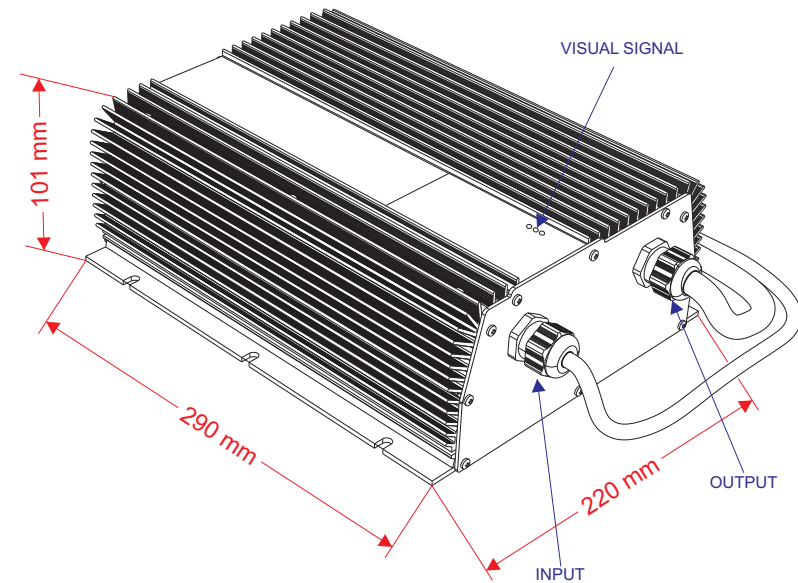
CONNECTIONS:

Input:	Customizable
Output +/- Battery:	Customizable
Contact n.c.: (when the main supply is connected the contact is open)	Customizable
Download charging cycles:	Specific software and cable

PROTECTION:

Reverse polarity	yes
Short circuit	yes
Overcurrent	yes
Overvoltage	yes
Overtemperature	yes

MECHANICAL



REMOTE VISUAL INDICATOR (RVI22)

